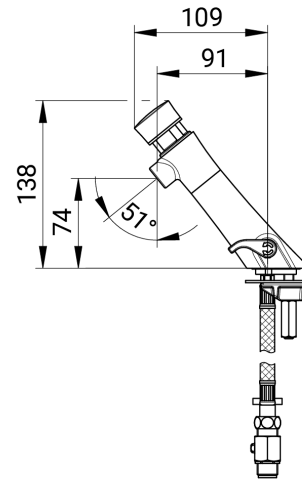


Product Data Sheet

VPPR68400NC – Deck Mounted Mixer Self Closing Tap



Working Pressure:

- ▶ 1 to 5 bar

Flow:

- ▶ 3 l/min at 3 bars - 4 position flow adjustment device
- ▶ Anti water hammer system

Flow Time:

- ▶ 15 seconds \pm 5 seconds

Hydraulic Supply:

- ▶ G 3/8" (12x17)

Thermal Resistance:

- ▶ Resistant to a temperature of 75°C for 30 minute thermal shock

Security:

- ▶ Non-turnable push button
- ▶ Non-removable, wear proof red marker
- ▶ With temperature limiter (at 38°C for cold water at 15°C/3 bar and hot water at 60°C/3 bar)

Supplied With:

- ▶ 2 PEX hoses with NF check valves and revolving nut
- ▶ 2 MM G 3/8" (12x174) stop valves
- ▶ 2 filter gaskets
- ▶ 1 stainless steel plain washer
- ▶ 1 fixing bracket
- ▶ 1 base gasket
- ▶ 1 brass clamping nut
- ▶ 1 installation guide

Standards & Approvals:

- ▶ Brass body in accordance with EN1982, EN12164, EN12165
- ▶ Moulded chrome-plated body in accordance with EN12540
- ▶ 200 hour neutral salt spray resistant (NSS) in accordance with ISO 9227
- ▶ WRAS certified

