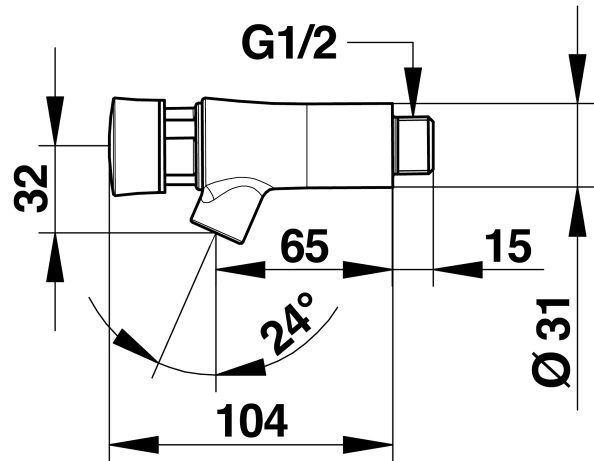


Product Data Sheet

VPPR66000NC - Single Wall Mounted Cold Self Closing Tap.



Working Pressure:

- ▶ 1 to 5 bar

Flow:

- ▶ 3 l/min at 3 bars - 4 position setting
- ▶ Anti water hammer system

Flow Time:

- ▶ 15 seconds \pm 5 seconds

Hydraulic Supply:

- ▶ G 1/2" x 15 - cold water

Thermal Resistance:

- ▶ This tap can withstand a thermal shock of 75°C for 30 minutes as part of a thermal shock programme

Dimensions:

- ▶ 65mm projection

Safety:

- ▶ Interchangeable head and non-turnable push button to avoid premature wear
- ▶ Non-removable blue circled marker

Supplied With:

- ▶ 1 installation guide

Standards & Approvals:

- ▶ Acoustic class II
- ▶ Chrome-plated brass body compliant with standards NF EN1982 / NF EN12164 / NF EN12165
- ▶ Nickel-Chrome surface treatment compliant with NF EN12540
- ▶ 200 hour neutral salt spray resistant (NSS) in accordance with ISO 9227
- ▶ WRAS certified

