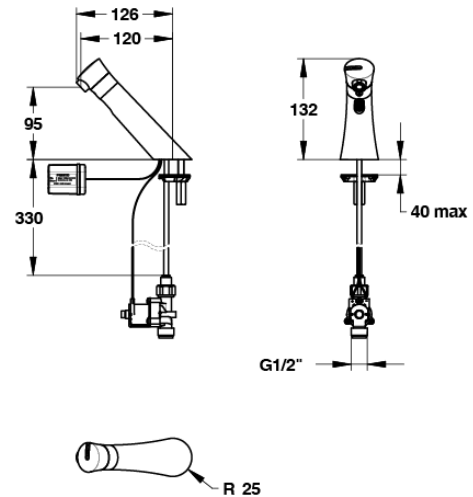


## Product Data Sheet

### VPPR57034S – Single Deck Mounted Sensor Tap



#### Working Pressure:

- ▶ 1 to 5 bar

#### Flow:

- ▶ 1.9 l/min with integrated spray flow limiter
- ▶ High quality anti-limescale sprayer
- ▶ Anti water hammering design

#### Hydraulic Supply:

- ▶ On Male G 1/2" (15x21) connection - cold or premixed water

#### Power Supply:

- ▶ External 6V DC CRP2 lithium battery, IP65 waterproof box

#### Material and Colour Finish:

- ▶ Injected metal and brass. Chrome plated

#### Thermal Resistance:

- ▶ Resistant to a temperature of 75°C for 30 minutes thermal shocks

#### Security:

- ▶ Anti-overflow security time: 30 seconds (anti-blocking system preventing the water to flow continuously)
- ▶ Automatic shutdown of solenoid valve in case of power failure or sensor error
- ▶ Duty flush: 45 seconds each 24 hours after last use
- ▶ Low battery alert (blinking LED)

#### Supplied With:

- ▶ 1 mounting assembly kit (clamping & nut)
- ▶ 1 filter gasket
- ▶ 1 solenoid valve
- ▶ 1 power supply (battery & battery box)
- ▶ 1 installation guide

#### Standards & Approvals:

- ▶ Brass in accordance with EN1982, EN12164 & EN1165
- ▶ Brass UBA list compliant
- ▶ REACH and RoHS compliant
- ▶ 200 hour neutral salt spray resistant (NSS) in accordance with ISO 9227
- ▶ WRAS certified

