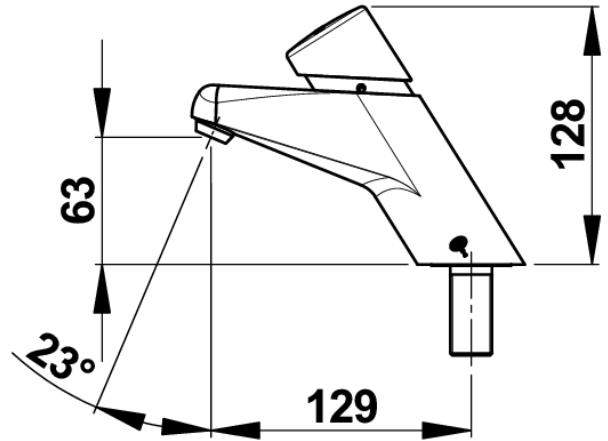


## Product Data Sheet

### VPPR20000NC - Single Deck Mounted Cold Self Closing Tap



#### Working Pressure:

- ▶ 1 to 5 bar

#### Flow:

- ▶ 4 l/min Flow limiter / 5-position flow adjustment device inaccessible to users
- ▶ Anti water hammering design
- ▶ Vandalism proof and anti-clogging spout

#### Flow Time:

- ▶ 15 seconds ( $\pm 5$  seconds)

#### Operation:

- ▶ Simple push-button action to activate the water/flow

#### Hydraulic Supply:

- ▶ M G 1/2" (15x21) - cold water (blue skirt)

#### Thermal Resistance:

- ▶ Resistant to a temperature of 75°C for 30 minute thermal shocks

#### Supplied With:

- ▶ 1 G 1/2" nut for 12x14 tube with filter gasket
- ▶ 1 stainless steel plain washer
- ▶ 1 brass clamping nut
- ▶ 1 nitrile plain washer
- ▶ 1 installation guide

#### Standards & Approvals:

- ▶ Acoustic class I
- ▶ Brass body in accordance with EN1982, EN12164, EN12165
- ▶ Chrome-plated surface treatment in accordance with EN12540
- ▶ 200 hour neutral salt spray resistant (NSS) in accordance with ISO 9227
- ▶ WRAS certified : 2304309

