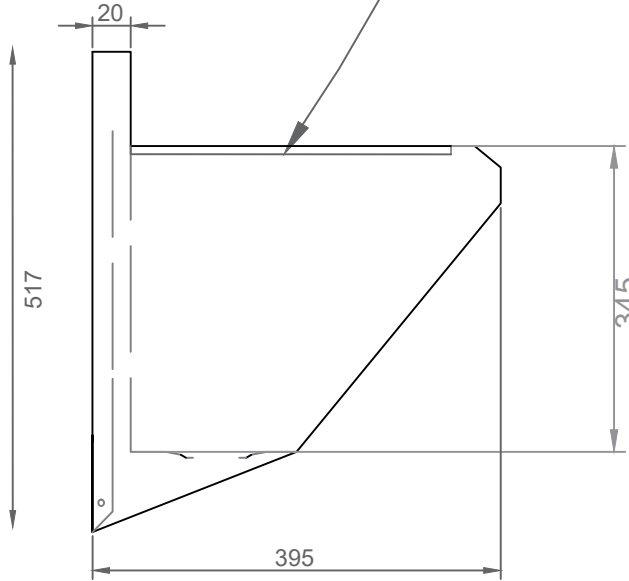
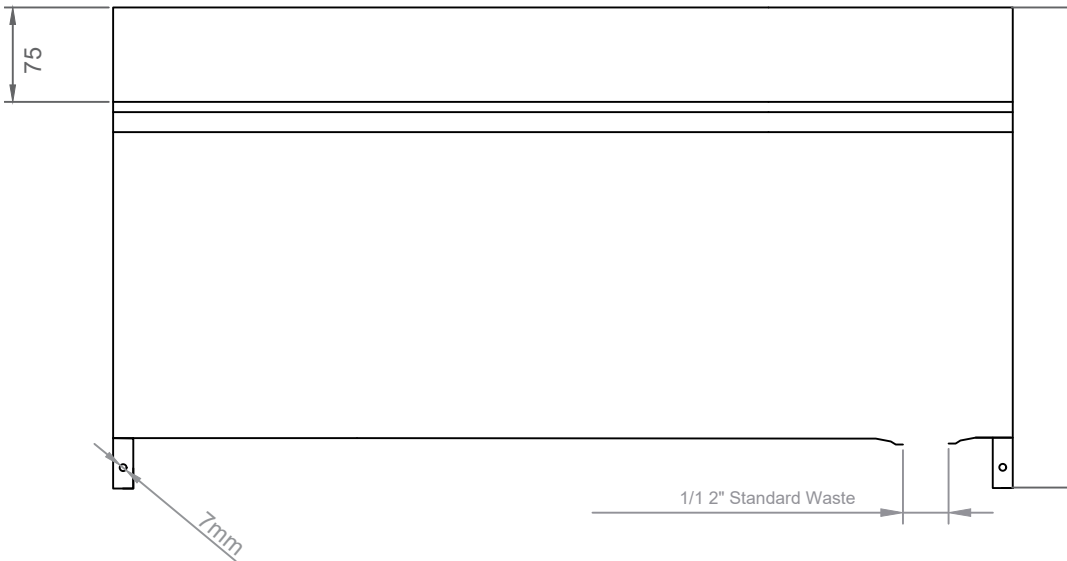


10mm Internal Safety Edge



A				VANTAGE PRODUCTS LTD
B	2400 X 395 Stainless Steel Scrub Trough Right Hand	MATERIAL SPEC Stainless Steel 1.2mm (304) 1.4301 DP1 180/220A	DATE 03/02/2023	Disclaimer In accordance with our policy of continued development we reserve the right to alter design and specifications without prior notification
C	Rev 02 Revised safety edge		Drawn By Z.R.W	
D	DESCRIPTION	SIG	PART NUMBER VPST2400RH	REV 02