

Surgeons Scrub-Up Trough - 1600mm long - VPST1600LH

Complies with HBN00-10 Part C (previously HTM64).

Product Description:

A stainless steel wall-hung surgeons scrub-up trough with low height integral splashback. Highback versions and alternative lengths also available.

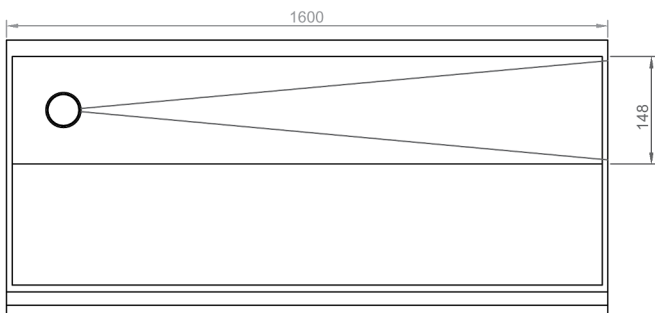
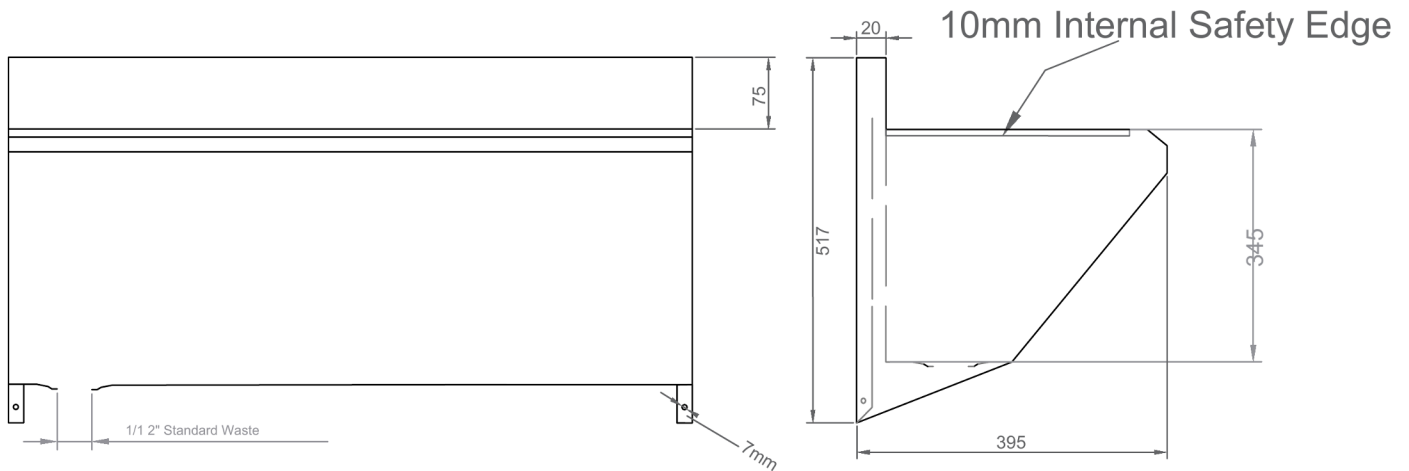
The sizing and depth of the troughs allows the user(s) to wash their hands and forearms under falling water as recommended in HBN00-Part C (formerly HTM64).

The taps should be wall mounted and discharge at a height of 250-300mm above the top of the trough. The projection of the trough provides for easy operation of wall mounted taps, either lever or automatic, and when the appropriate taps are used at the correct height, water falls onto an inclined surface of the trough.

Supplied with a stainless steel waste shroud and a 38mm (1.1/2" BSP) chrome flush grated waste with a 38mm solid tail (a plug cannot and must not be used)



(Image shows RH version)



Technical Specification:

Dimensions (mm)	1600 x 395 x 517h
Construction	Pressed, folded and welded
Material	1.4301 (304) stainless steel
Material Thickness (mm)	1.2
Splashback Height (mm)	75
Net Weight (kg)	22
Fixings	Wall mounted

Standard Variations:

VPST1600LH	1600 x 395 x 517h with left hand waste
VPST1600RH	1600 x 395 x 517h with right hand waste