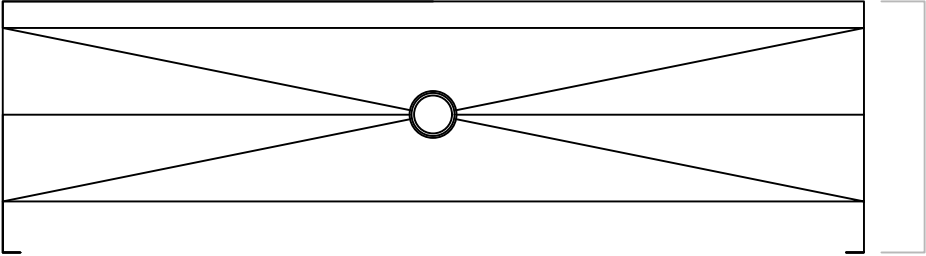
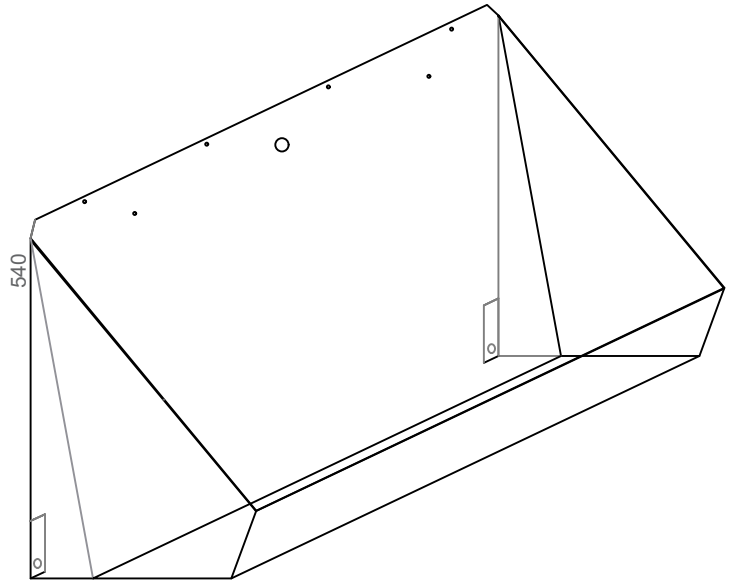


1 1/2"
Standard Waste



20

A				VANTAGE PRODUCTS LTD	
B		MATERIAL SPEC	DATE	Disclaimer	
C	2400 X 325 Stainless Steel Urinal	Stainless Steel 1.2mm (304) 1.4301 DP1 180/220A	15/06/21	In accordance with our policy of continued development we reserve the right to alter design and specifications without prior notification	
D	DESCRIPTION	SIG	Drawn By Z.R.W	PART NUMBER VPUT2400	REV 01