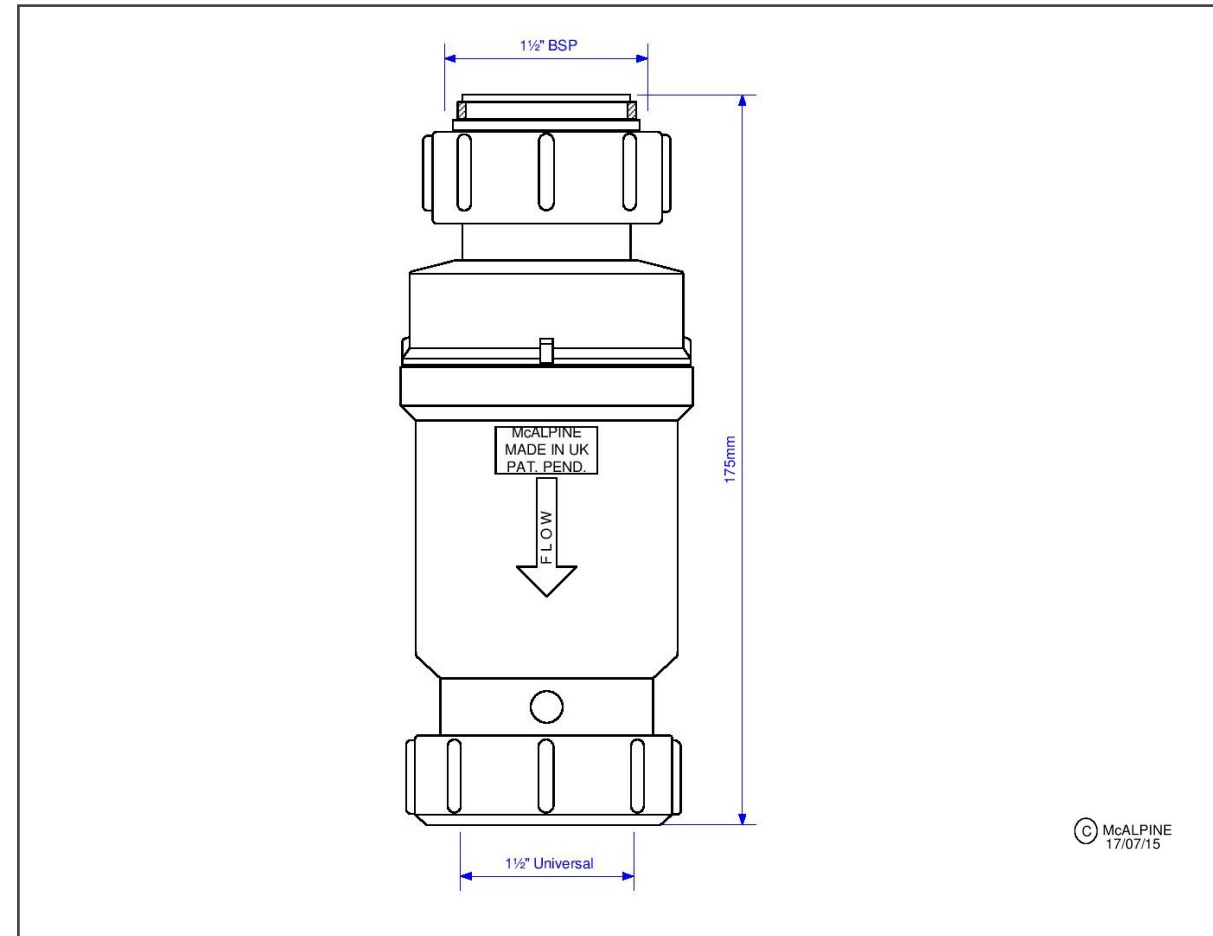


McAlpine Polypropylene Self Closing Waste Valve - VPSCWV38



Product Description:

- Self-closing polypropylene 38mm (1.1/2") waste valve
- 153mm long
- BSP female inlet nut
- Universal compression outlet
- Membrane opens under water pressure to allow discharge to flow freely and then closes to form a seal to prevent foul odour or sewer gas entering the building
- Can be fitted in horizontal or vertical position
- Can be fitted where a non-return valve can be of benefit to the plumbing installation
- No water seal so it can never dry out through evaporation or lack of use - the membrane remains sealed
- Not recommended for use with shower trays unless there is access for maintenance



© McALPINE 17/07/15