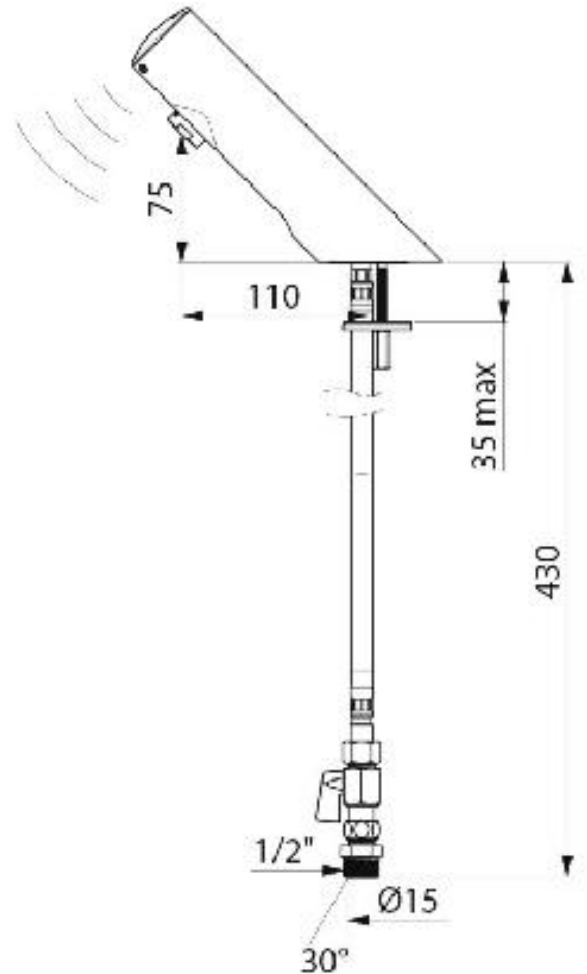


Deck Mounted Sensor Tap – STAPD2

Product Description:

- Battery operated with integrated 123 6VF Lithium batteries
- Reduced stagnation solenoid valve and electronic unit integrated into the body of the tap
- Flow rate pre-set at 3 lpm at 3 bar, can be adjusted from 1.5 - 6 lpm
- Scale-resistant flow straightener
- Duty flush (~60 seconds every 24 hours after last use)
- Active, infrared presence detection, sensor at the end of the spout optimises detection
- Chrome plated solid brass body
- Cap fixed in place by two concealed screws
- PEX flexible \varnothing 15mm for compression fittings with stopcock, filter and non-return valve
- Fixing reinforced by two stainless steel rods
- Anti-blocking security
- Cut-out required is 35mm dia



Standard Variations:

STAPD2	Delabie deck mounted sensor tap
STAPW2	Delabie wall mounted sensor tap
STAPD1	Deva deck mounted sensor tap
STAPW1	Deva wall mounted sensor tap

Technical Specification:

Supply	6V batteries
Connector	M1/2" \varnothing 15mm
Technology	Electronic
Spout Length	110mm
Flow Rate	3 lpm
Warranty	10 years

