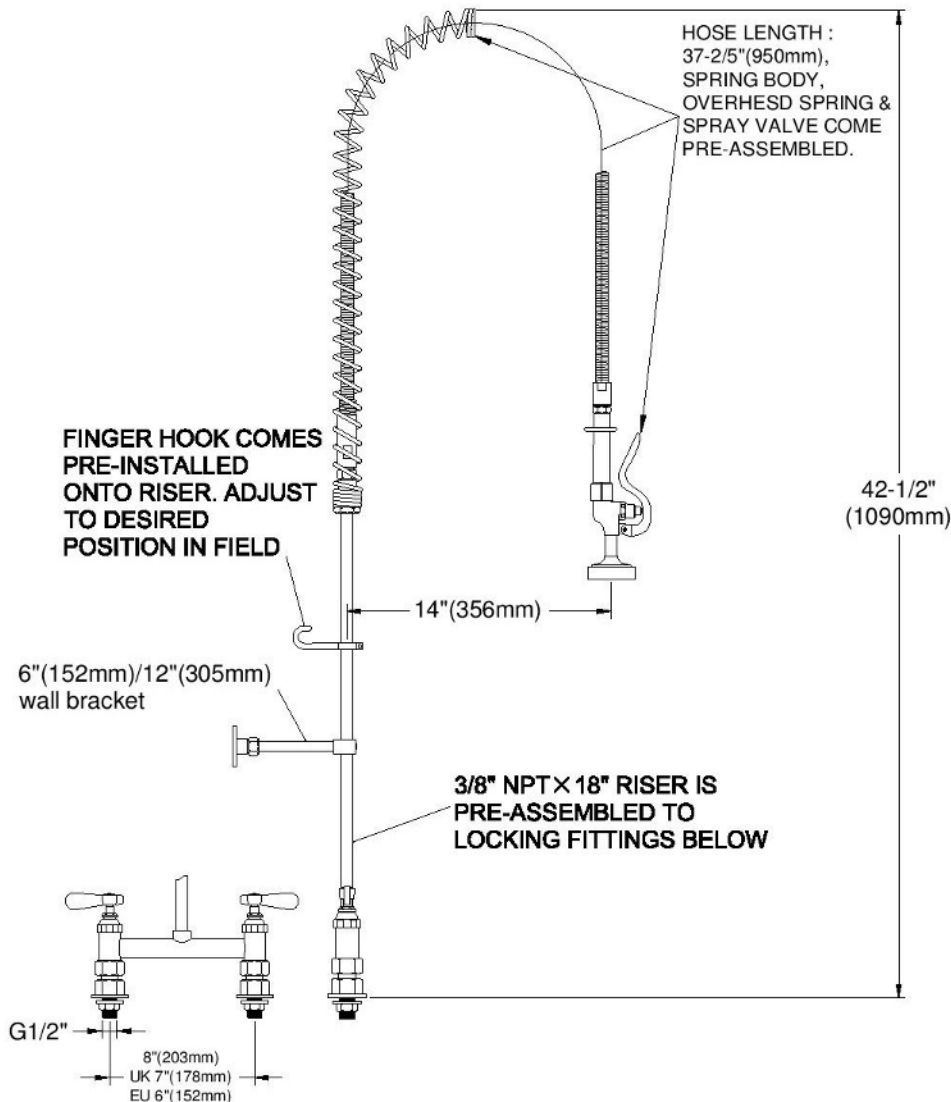
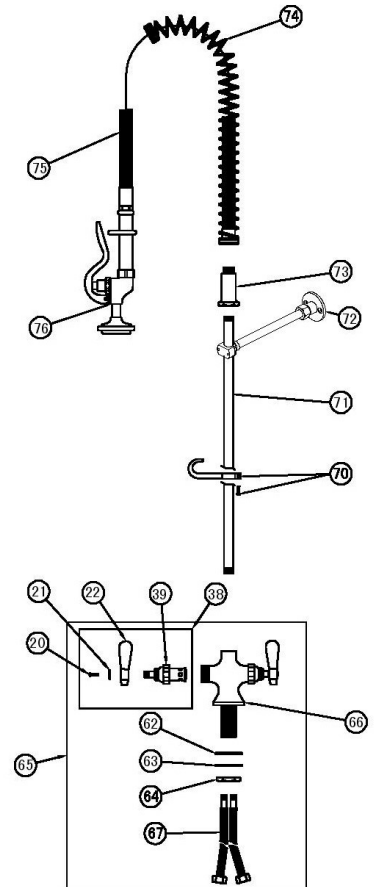


Pre-Rinse Unit VP601BR-12

Product Description:

- Deck mounted double pre-rinse unit
- Supplied with flexible hose, wall bracket and restraining wire
- 12" bowl-filling tap
- High quality components for commercial use
- Max working temperature is 60°C
- WRAS approved
- Replacement accessories available
- 203mm (8") centre deck mount
- 510mm (20") riser brass pipe
- 1118mm (44") flexible stainless steel hose
- Santoprene inner pipe
- 152mm (6") or 305mm (12") wall bracket
- Includes check valve to prevent cross flow
- Spray valve conforms to ANSI/ASTM F2324-03



20	Screw, Lever, Handle
21	Index Button
22	Lever Handle
38	Asm, Lever Handle (LH)
39	Asm, Spdl LH-Eterna W/Spring
62	O-Ring
63	Level
64	Locknut, Shank
65	Asm, Body
66	Body, Faucet
67	Flexible Hose
70	Assembly, Finger Hook & Screw
71	Nipple, 3/8" x 24
72	Wall Bracket
73	Spring Body
74	Spring, Overhead
75	Assembly Flex S/S Hose
76	Assembly Spray Valve