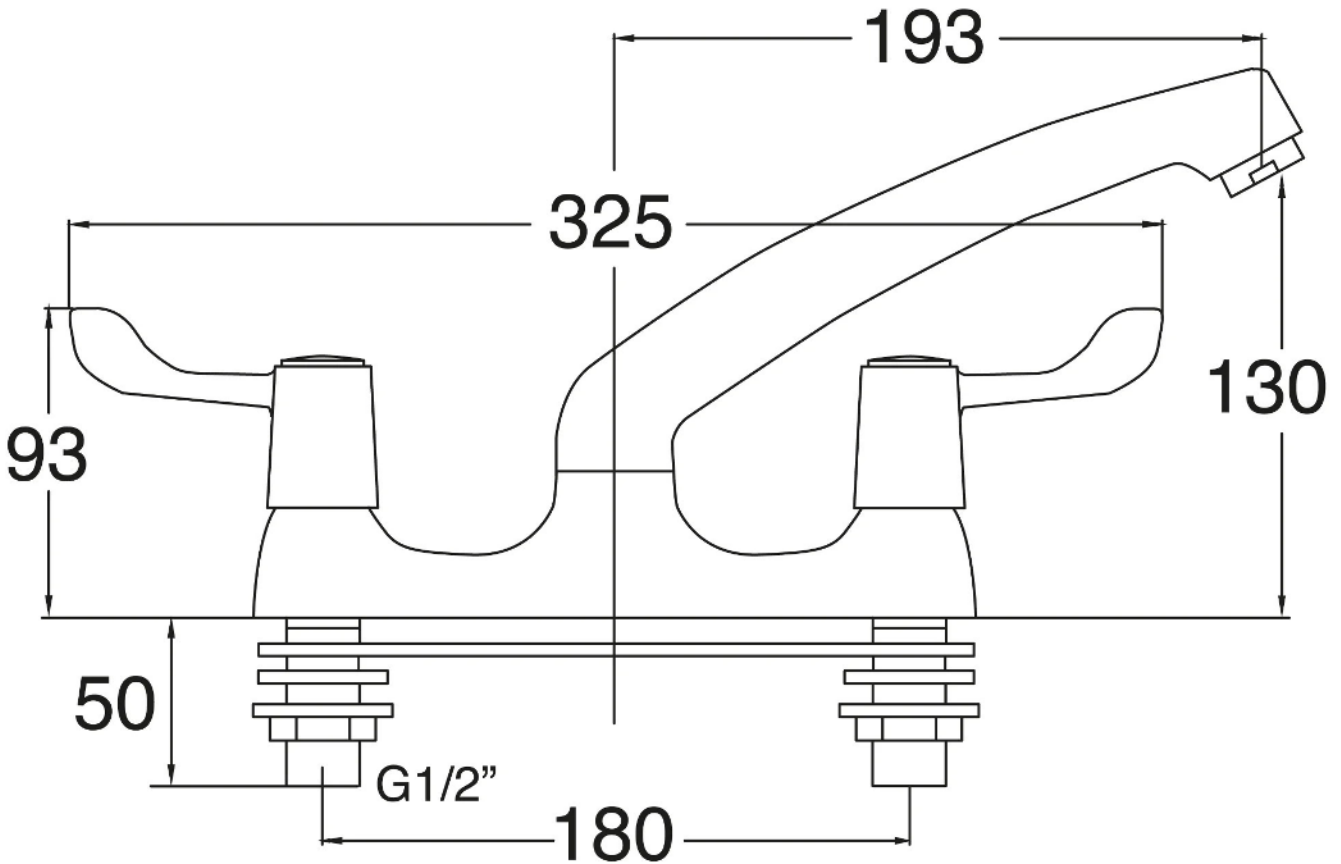


## 1/2" Mixer Tap with 3" levers - 6100/D

### Specification:

- WRAS approved chrome plated sink mixer tap
- Brass construction
- 1/4 turn ceramic disc
- Suitable for high & low pressure systems
- Working pressure 0.1-5.0 bar
- Inlet connections: 1/2" BSP
- Swivel spout
- Dual flow
- Brass backnuts
- Easy maintenance
- Easily identifiable hot and cold water selection



### Flow (Bar - l/min, open outlet)

#### Spout

<u>Flow 0.1</u>	<u>Flow 0.3</u>	<u>Flow 0.5</u>	<u>Flow 1.0</u>	<u>Flow 2.0</u>	<u>Flow 3.0</u>	<u>Flow 4.0</u>	<u>Flow 5.0</u>
7.3	11.3	15.1	21.9	31.4	38.8	45	50.3